

# High Pressure Regulator

## Forbes Marshall High Pressure Regulator

The Forbes Marshall piston type pressure regulator provides pressure reduction of high pressure samples.

It also provides regulated output pressure irrespective of fluctuations in the upstream pressure conditions. This helps in providing stable pressure and flow conditions of sample going to on-line analyzers, something that is not possible with traditional pressure reducers.

The output pressure can be set anywhere between 0 to 10 Kg/Cm<sup>2</sup> depending on the field requirement.

This regulator is specially designed for high pressure above 100 kg/cm<sup>2</sup>. It can be used for first stage pressure reduction in high pressure applications.

## Features

A precision engineered product

Pressure reduction and regulation in the same unit

Robust design

Proprietary Forbes Marshall design

More effective than conventional pressure reducers



## Specifications

Stainless steel (SS-316) housing

Set pressure at outlet : adjustable between 0 to 10 Kg/Cm<sup>2</sup>

Inlet pressure rating: max. 375 Kg/Cm<sup>2</sup>

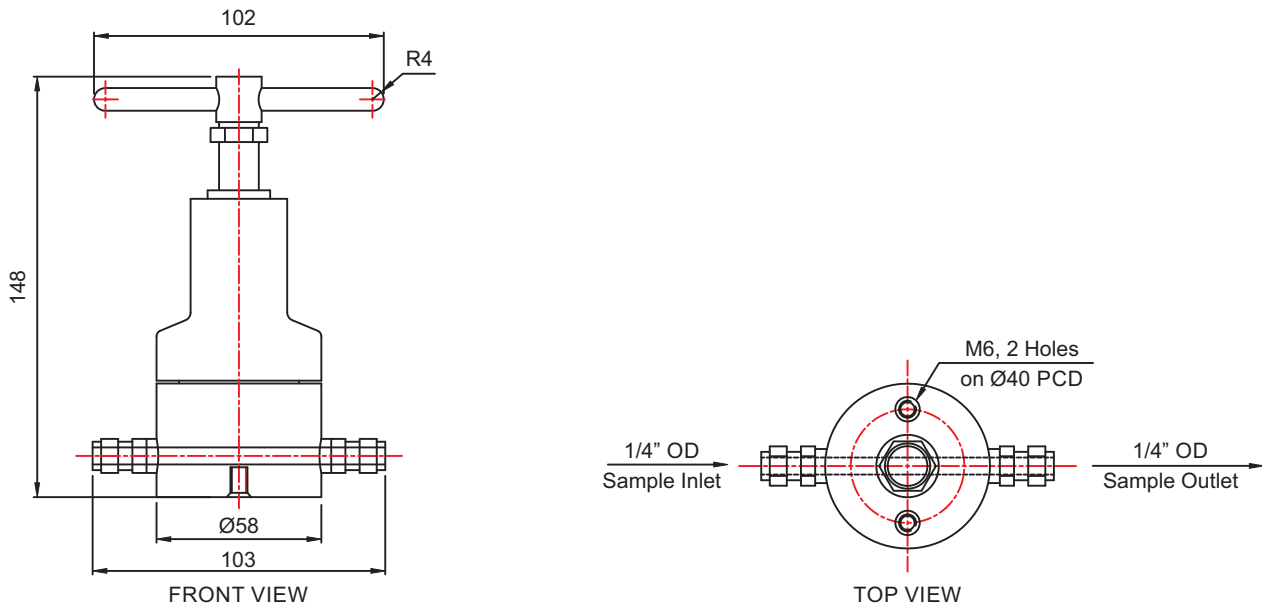
Flow: 100 LPH (max.)

Inlet / outlet connection : 1/4" OD  
(Double ferrule compression type)

## Ordering Codes

Sr. No.	Ordering Code	Description
1	FGF4W2011570_HP	Piston type high pressure regulator 1/4" OD - SS 316
2	FGF4W2011571	Piston type high pressure regulator 3/8" OD - SS 316

## Dimensions



Forbes Marshall  
Krohne Marshall  
Forbes Marshall Arca  
Codel International  
Forbes Solar  
Forbes Vyncke  
Forbes Marshall Steam Systems

Opp 106th Milestone  
Bombay Poona Road  
Kasarwadi, Pune - 411 034. INDIA  
Tel : 91(0)20-27145595, 39858555  
Fax : 91(0)20-27147413

Email : [swasmktg@forbesmarshall.com](mailto:swasmktg@forbesmarshall.com), [ccmidc@forbesmarshall.com](mailto:ccmidc@forbesmarshall.com)

B-85, Phase II, Chakan Indl Area  
Sawardari, Chakan, Tal. Khed  
Dist. Pune - 410 501. INDIA  
Tel : 91(0)2135-393400

A-34/35, MIDC H Block  
Pimpri, Pune - 411 018. INDIA.  
Tel : 91(0)20-27442020, 39851199  
Fax : 91(0)20-27442040  
CIN No.: U28996PN1985PTC037806  
[www.forbesmarshall.com](http://www.forbesmarshall.com)

© All rights reserved. Any reproduction or distribution in part or as a whole without written permission of Forbes Marshall Pvt Ltd, its associate companies or its subsidiaries ("FM Group") is prohibited.

Information, designs or specifications in this document are subject to change without notice. Responsibility for suitability, selection, installation, use, operation or maintenance of the product(s) rests solely with the purchaser and/or user. The contents of this document are presented for informational purposes only. FM Group disclaims liabilities or losses that may be incurred as a consequence of the use of this information.