

# Relisafe™ - TP

## High Temperature Safety Shut-Off Valve with Manual Reset

Forbes Marshall's Relisafe™-TP is a mechanical device which ensures protection against temperature overshoot, which can occur due to

Sudden reduction in cooling water flow

Failure of sample coils due to stress corrosion cracking (this happens usually due to chloride attacks)

Inadvertent increase in sample flow

In such adverse conditions, analyser sensors can get damaged due to high temperature of sample.

We recommend the use of a temperature safety shut-off valve to block high temperature samples which otherwise could damage the analyser sensors which are delicate and costly.

### Features

Self-reliant temperature shut-off valve with manual reset feature as per ASME PTC 19.11-2008

No power supply required

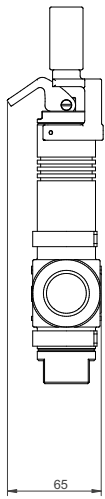
Fast response

Back pressure resistant

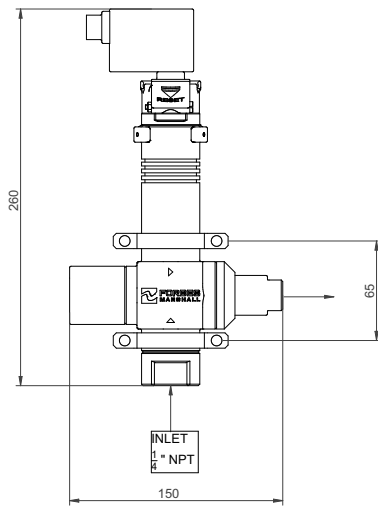
Temperature sensing element is not exposed to high temperature sample when valve is shut down



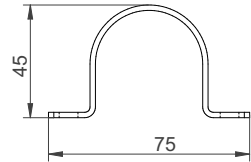
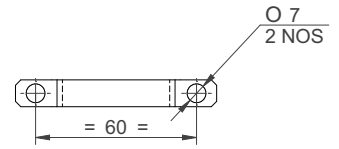
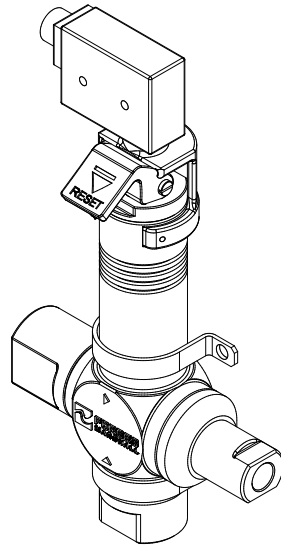
## Dimensional Drawing



Top View



Front View



Mounting Bracket

## Specifications

Design parameters	Description / value
Design pressure	300 bar g
Design temperature	121 deg C (minimum installed after primary cooler)
Design flow rate	120 LPH
Operating pressure	3 bar g
Trigger temperature	45 deg C
Material of construction	SS316
End connection type	1/4" OD tube
Threaded connections (if any)	End connection suitable for 1/4" OD tube
Applicable design standards	ASME PTC 19.11 guidelines for sampling system ASME Section VIII, Division-II
Additional features	Manual reset
High temperature alarm reset	Available (optional)

## Ordering Information

Item Code	Description
C4W-RELISAFE™-TP	Spares for water quality monitoring system, thermal shut-off valve, 1/4", screwed NPT(F), SS316 without alarm
C4W-RELISAFE™-TP-AL	Spares for water quality monitoring system, thermal shut-off valve, 1/4", screwed NPT(F), SS316 with alarm
C4W-RELISAFE™-TP-IBR	Spares for water quality monitoring system, thermal shut-off valve, 1/4", screwed NPT(F), SS316, IBR, drg. no. C4W-RELISAFE™-TP-IBR



Forbes Marshall  
Krohne Marshall  
Forbes Marshall Arca  
Codel International  
Forbes Solar  
Forbes Vyncke  
Forbes Marshall Steam Systems

Opp 106th Milestone  
Bombay Poona Road  
Kasarwadi, Pune - 411 034. INDIA  
Tel : 91(0)20-27145595, 39858555  
Fax : 91(0)20-27147413

Email : swasmktg@forbesmarshall.com, ccmidc@forbesmarshall.com

B-85, Phase II, Chakan Indl Area  
Sawardari, Chakan, Tal. Khed  
Dist. Pune - 410 501. INDIA  
Tel : 91(0)2135-393400

A-34/35, MIDC H Block  
Pimpri, Pune - 411 018. INDIA.  
Tel : 91(0)20-27442020, 39851199  
Fax : 91(0)20-27442040  
CIN No.: U28996PN1985PTC037806  
www.forbesmarshall.com

© All rights reserved. Any reproduction or distribution in part or as a whole without written permission of Forbes Marshall Pvt Ltd, its associate companies or its subsidiaries ("FM Group") is prohibited.  
Information, designs or specifications in this document are subject to change without notice. Responsibility for suitability, selection, installation, use, operation or maintenance of the product(s) rests solely with the purchaser and/or user. The contents of this document are presented for informational purposes only. FM Group disclaims liabilities or losses that may be incurred as a consequence of the use of this information.