

Relisafe™ - PR

Sample Pressure Reducing Valve (SPRV)

Forbes Marshall's Sample Pressure Reducing Valve (SPRV) is a rod-in-tube type pressure reducing device. It serves a combined function of pressure reduction and flow modulation. As the high pressure sample is forced to pass through the narrow annular region between the rod and tube, the frictional resistance causes the pressure to drop, while at same time modulating the flow.

Features

As per ASME PTC 19.11-2008 and ASTM standard

Single rod design prevents jamming of sample

Reduction of localised wear and increased product service life achieved by smooth pressure reduction over the entire length of the tube

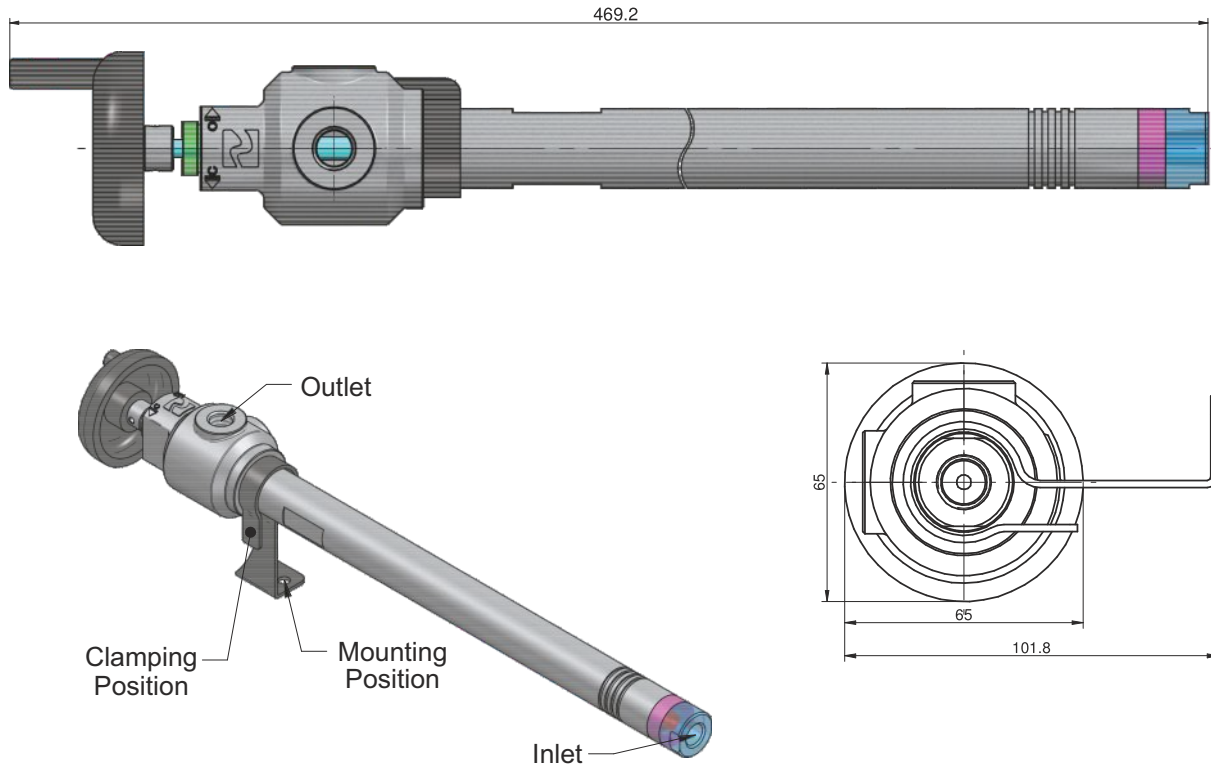
Ergonomically designed rotating handle to facilitate manual adjustment

Arrangement for blow down

Specially designed for boiler and feed water with higher total dissolved solids (TDS) content



Dimensional Drawing



All dimensions are in mm.

Specifications

Design Parameters	Description
Design pressure	350 bar(g)
Design temperature	250 deg C
Design flow rate	40 to 120 LPH
Material of construction	SS316 all sample wetted parts.
Inlet connection type	1/4" NPT(F) threaded connection (suitable OD connector can be used)
Outlet connection type	1/4" NPT(F) threaded connection (suitable OD connector can be used)
Applicable design standards	ASME PTC 19.11 guidelines for sampling system ASME Section VIII, Division-II
Surface finish	Blasting and passivation, Ra < 20 µm

Ordering Information

Item Code	Description
C4W-RELISAFE™-PR	Water quality monitoring system, RELISAFE™-PR, MOC : SS 316, Drg. No. C4W-RELISAFE™-PR
C4W-RELISAFE™-PR-IBR	Water quality monitoring system, RELISAFE™-PR-IBR, MOC: SS 316, IBR, Drg. no. C4W-RELISAFE™-PR-IBR



Forbes Marshall
Krohne Marshall
Forbes Marshall Arca
Codel International
Forbes Solar
Forbes Vyncke
Forbes Marshall Steam Systems

Opp 106th Milestone
Bombay Poona Road
Kasarwadi, Pune - 411 034. INDIA
Tel : 91(0)20-27145595, 39858555
Fax : 91(0)20-27147413

Email : swasmktg@forbesmarshall.com, ccmidc@forbesmarshall.com

B-85, Phase II, Chakan Indl Area
Sawardari, Chakan, Tal. Khed
Dist. Pune - 410 501. INDIA
Tel : 91(0)2135-393400

A-34/35, MIDC H Block
Pimpri, Pune - 411 018. INDIA.
Tel : 91(0)20-27442020, 39851199
Fax : 91(0)20-27442040
CIN No.: U28996PN1985PTC037806
www.forbesmarshall.com

© All rights reserved. Any reproduction or distribution in part or as a whole without written permission of Forbes Marshall Pvt Ltd, its associate companies or its subsidiaries ("FM Group") is prohibited.

Information, designs or specifications in this document are subject to change without notice. Responsibility for suitability, selection, installation, use, operation or maintenance of the product(s) rests solely with the purchaser and/or user. The contents of this document are presented for informational purposes only. FM Group disclaims liabilities or losses that may be incurred as a consequence of the use of this information.