

SOPT-LHM

Steam Operated Pumping Trap - Low Head Miniature

Description

SOPT-LHM is a steam operated pumping trap with screwed connections. This innovative product is capable of working in trapping or pumping mode automatically, depending on the process conditions. The unit is operated by steam & is used to remove condensate from the process plant under all operating conditions including vacuum / stall.

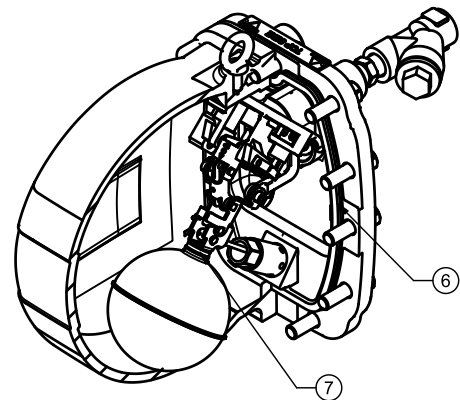
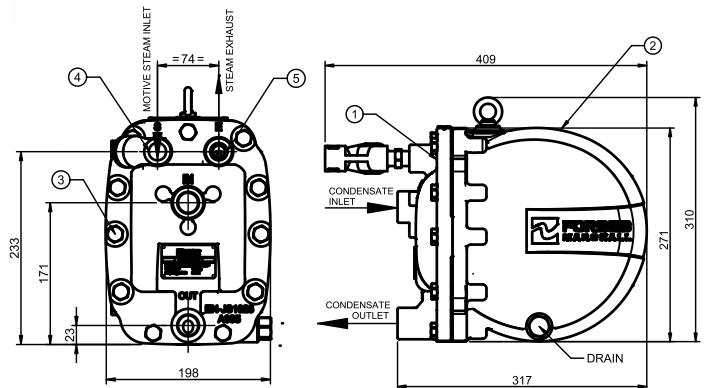
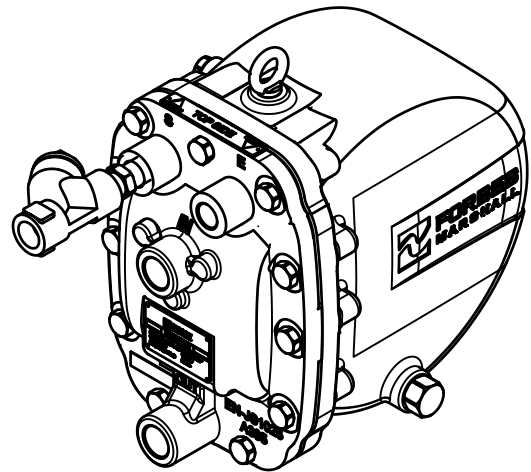
Size and Connection

Model	Condensate inlet	Condensate outlet	Motive steam inlet	Steam Exhaust
SOPT-LHM	20 NB Screwed BSP/BSPT/NPT	20 NB Screwed BSP/BSPT/NPT	15NB Screwed BSP/BSPT/NPT	15NB Screwed BSP/BSPT/NPT

Limiting Conditions

Sizes	20 NB X 20 NB
Body design Conditions	PN10
Max. Operating Pressure	4.5 bar g
Max. Operating Temperature	155 °C @ 4.5 bar g
Min. Operating Temperature	-10°C
Discharge per cycle	3 Liters
Min. Required installation head from the base of SOPT	200 mm
Max. Cold hydraulic test pressure	15 bar g
Max. Back Pressure	4 bar g

Sr.No	Description	Material
1	SOPT-LHM BASE	SG Iron ASTM A395 / EN-JS1025
2	SOPT-LHM COVER	SG Iron ASTM A395 / EN-JS1025
3	HEX HEAD SCREW M12	ASTMA193 B7
4	15NB MOTIVE STEAM INLET (SCREWED BSPT)	SG Iron ASTM A395/ EN-JS1025
5	15NB STEAM EXHAUST (SCREWED BSPT)	SG Iron ASTM A395/ EN-JS1025
6	MAIN FLANGE GASKET	GRAPHITE
7	INTERNAL MECHANISM	STAINLESS STEEL



Approximate Dry Weight : 20 Kg

Trapping Capacity Chart

Differential Pressure (barg)	Trapping Capacity (Kg/hr)
0	280
0.5	786
1	850
2	905
3	963
4	1050
4.5	1125

How to specify

Example: Steam Operated Pumping Trap
020SOPT-LHM-AN

Available Spares

Sr.No	Description	Part Code No.
1	Mechanism assembly kit	SPARE-020SOPT-LHM-MKIT
2	Inlet valve seat assembly kit	SPARE-020SOPT-LHM-IVKIT
3	Exhaust valve head assembly kit	SPARE-020SOPT-LHM-EVKIT
4	Gasket kit	SPARE-020SOPT-LHM-GKIT
5	Trap seat assembly kit	SPARE-020SOPT-LHM-TSKIT
6	Inlet check valve assembly kit	SPARE-020SOPT-LHM-ICVKIT
7	Float assembly kit	SPARE-020SOPT-LHM-FKIT
8	Main gasket kit	SPARE-020SOPT-LHM-MGKIT

How to order

Always order spares by using the description given in column headed "Available Spares" of User Manual for this product.

Note

Pumping capacities shown in above chart are for condensate temperature of 90° C

For higher back pressures & installation head other than 500 mm contact factory.

PUMPING CAPACITY FOR 500MM INSTALLATION HEAD

MOTIVE PRESSURE (bar g)	BACK PRESSURE (bar g)	CAPACITY (kg/hr)
1	0	185
	0.5	155
2	0	390
	1	260
	1.5	230
3	0	440
	1	360
	2	260
	2.5	220
4	0	430
	1	350
	2	300
	3	250
4.5	3.5	210
	0	410
	1	360
	2	330
	3	275
	4	160



www.forbesmarshall.com

Forbes Marshall Arca

Codel International

Krohne Marshall

Forbes Vyncke

Forbes Marshall Steam Systems

A: Forbes Marshall Pvt. Ltd.
Opp. 106th Milestone, CTS 2220,
Mumbai-Pune Road, Kasarwadi,
Pune MH 411034 INDIA

P: +91(0)20-68138555

F: +91(0)20-68138402

E: ccmidc@forbesmarshall.com

© All rights reserved. Any reproduction or distribution in part or as a whole without written permission of Forbes Marshall Pvt Ltd, its associate companies or its subsidiaries ("FM Group") is prohibited.

Information, designs or specifications in this document are subject to change without notice. Responsibility for suitability, selection, installation, use, operation or maintenance of the product(s) rests solely with the purchaser and/or user. The contents of this document are presented for informational purposes only. FM Group disclaims liabilities or losses that may be incurred as a consequence of the use of this information.

Forbes Marshall International Pte. Ltd.
16A, Tuas Avenue 1,
#05-21, JTC Space @Tuas
Singapore - 639533

P: +65 6219 3890

CIN No: U28996PN1985PTC037806