

SOFT31-O

Single Orifice Float Trap with SLR

Description

The Forbes Marshall Single Orifice Float Trap with SLR, SOFT31-O is a condensate drain trap of cast iron body and stainless steel internals.

Sizes and Pipe Connections

DN15 Screwed BSPT/NPT/BSP

Note: Available in Non IBR only.

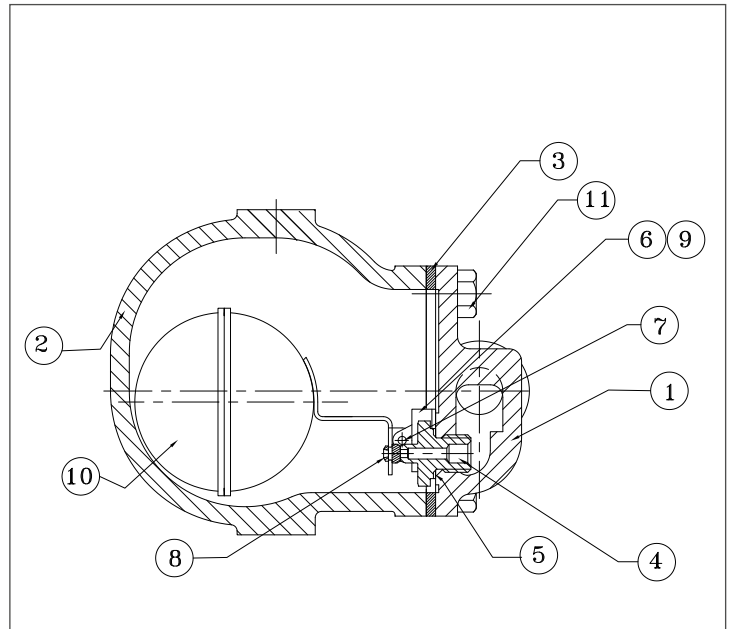
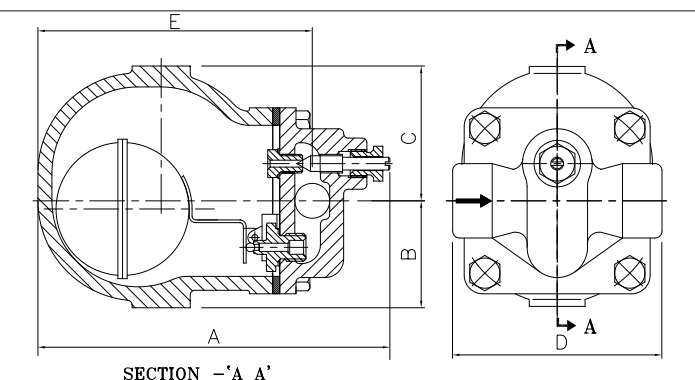
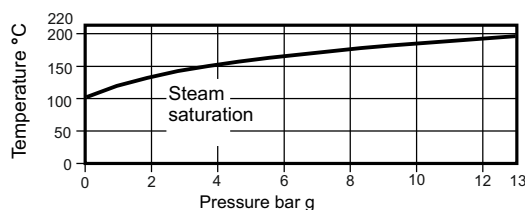
Available Types

SOFT31-O with Steam Lock Release (SLR) only.

Limiting Conditions

PMA Maximum allowable pressure	13 bar g
TMA Maximum allowable temperature	220°C @ 13 bar g
PMO Maximum operating pressure	13 bar g
TMO Maximum operating temperature	220°C @ 13 bar g
Minimum operating temperature	0°C
ΔPMX Maximum Differential pressure	
SOFT31-O-4.5	4.5 bar g
SOFT31-O-10	10 bar g
SOFT31-O-13	13 bar g
Cold hydraulic test pressure	20 bar g

Operating Range



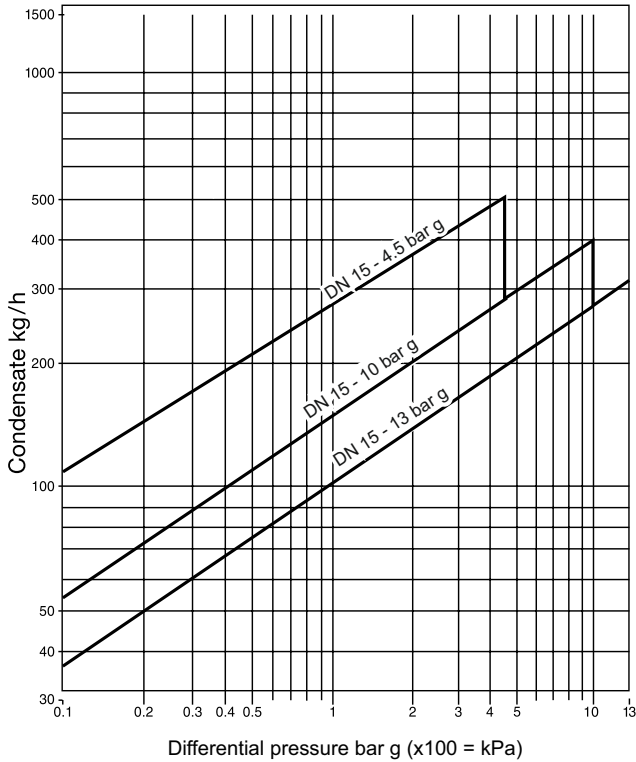
Material

Sr.No.	Part	Material	Standard
1.	Base	Cast Iron	IS 210 Gr.FG 260
2.	Cover	Cast Iron	IS 210 Gr.FG 260
3.	Cover gasket	Reinforced exfoliated graphite	
4.	Valve seat	Stainless Steel	ASTM A276, Type 410
5.	Valve seat gasket	Stainless Steel	ASTM A240, Type 410
6.	Pivot Frame	Stainless Steel	ASTM A240, Type 304
7.	Pivot Pin	Stainless Steel	ASTM A276, Type 304
8.	SRL Assly.	Stainless Steel	ASTM A276, Type 410
9.	Ch.Hd.Screw	Stainless Steel	SS 304
10.	Float assly.	Stainless Steel	ASTM A 240 , Type 304
11.	Hex. Hd. Bolt	Carbon Steel	ASTM A 193 Gr. B7

Dimensions (approx.) in mm

Size	A	B	C	D	E	Weight
DN 15	151	46	58	90	118	2.5 kg

Capacity Chart



How to Order

Example : DN15 Single Orifice Float Trap, SOFT31-O, 14 bar g, SLR, BSPT.

Installation

The arrow with lettering "Down" must point downwards. The arrow on the casting pipe end indicates the flow direction.

Servicing

With suitable isolation repairs can be carried out with trap on the line. Undo cover bolts and lift off the cover. When re-assembling, make sure that all joint faces are clean. Always use a new gasket and apply a thin coating of jointing paste. Tighten cover bolts uniformly. Open up the isolating valve.

Recommended Tightening Torques

Sr.No.	Part	Torque (Nm)
1.	SLR seat	25 - 35
2.	SLR body	40 - 50
3.	Valve Seat	25 - 35
4.	Cover bolts	25 - 35

Spare Parts

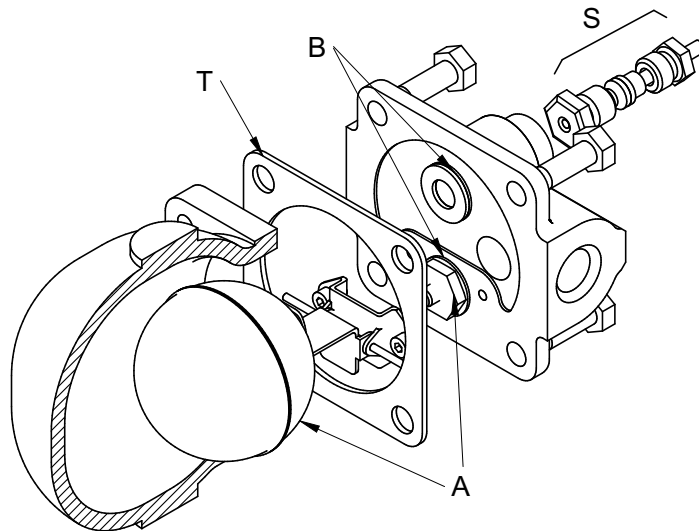
The spare parts available are shown in the figure in a heavy outline. Parts drawn in a broken line are not supplied as spares.

Available Spares

Main valve assembly with float	A
Two complete set of gaskets (pack of 5)	B, T
Steam lock release unit (SLR)	S

How to Order Spares

Always order spares using the description given in the column above, headed "Available Spares", and stating the size and type of the trap. For codes refer the user manual.



www.forbesmarshall.com

Forbes Marshall Arca

Codel International

Krohne Marshall

Forbes Vyncke

Forbes Marshall Steam Systems

A: Forbes Marshall Pvt. Ltd.
Opp. 106th Milestone, CTS 2220,
Mumbai-Pune Road, Kasarwadi,
Pune MH 411034 INDIA
P: +91(0)20-68138555
F: +91(0)20-68138402

E: ccmidc@forbesmarshall.com

© All rights reserved. Any reproduction or distribution in part or as a whole without written permission of Forbes Marshall Pvt Ltd, its associate companies or its subsidiaries ("FM Group") is prohibited.

Information, designs or specifications in this document are subject to change without notice. Responsibility for suitability, selection, installation, use, operation or maintenance of the product(s) rests solely with the purchaser and/or user. The contents of this document are presented for informational purposes only. FM Group disclaims liabilities or losses that may be incurred as a consequence of the use of this information.

Forbes Marshall International Pte. Ltd.
16A, Tuas Avenue 1,
#05-21, JTC Space @Tuas
Singapore - 639533
P: +65 6219 3890

CIN No: U28996PN1985PTC037806