

# IJ-FMSTR

## Insulation Jacket For Strainers

### Description

Forbes Marshall Insulation jackets are used for preventing any heat energy losses from the body of the strainer in service. The insulation jackets for strainers are available in ready to mount condition.

### Sizes and Pipe Connections

Available in low temperature version with velcro fitting suitable for strainers DN 40, 50, 80. Also available for higher sizes.

### Limiting Conditions

Maximum metal surface temperature : 220°C

### How to Order

Example: 1No. Insulation Jacket for DN50 FMSTR34 strainer

### Installation

Once the strainer is installed, the insulation jacket can be fixed as follows

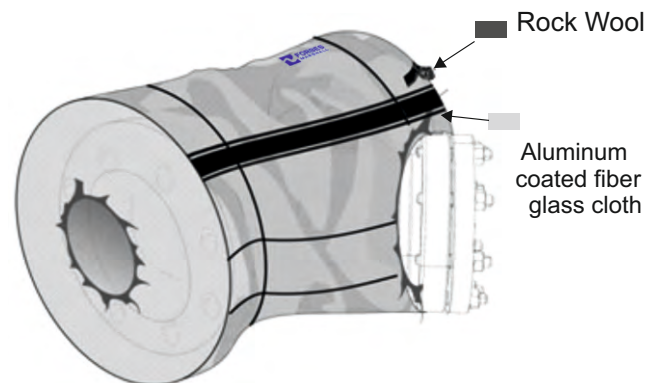
- Place the jacket centrally from the side of strainer.
- Wrap the jacket over the strainer body and flanged connection and pull the velcro flaps in to secure position.
- Wrap the front and back of jacket around the strainer and secure fully by using the side velcro flaps. Finally pull and tie the draw cords to minimize any gap that would allow air to flow or allow ingress of water.
- Please ensure that the strainer cap is open for accessibility.

### Removal

Before removing the jacket, check if the strainer is in service. If it is, then metal surface will be hot enough to burn, so suitable protective clothing (gloves, apron etc.) should be worn. Removal is the reverse procedure to the above..

### Handling

When the jacket is new the insulation material is fully enclosed within the inner and outer face and retained by stitching. In this condition no special protective clothing is required. However, if inner and outer face becomes unstitched or damaged, so as to expose the insulation material then suitable protective clothing (e.g. gloves, safety glasses, face masks and overalls) should be worn when handling.



### Disposal

This product is not recyclable and is non-combustible. For disposal purpose consider the product to be mineral fibre and dispose off in accordance with local regulations.