

FMTLT53 / FMAV53

Forbes Marshall Tracer Line Trap / Forbes Marshall Air Vent

Description

The Forbes Marshall Tracer Line Trap FMTLT53 / Air Vent FMAV53 can be used for air venting application from steam mainlines or as a steam trap for tracer line application for removal of sub cooled condensate. It comes with an inbuilt flat strainer screen having 0.8 mm diameter perforations.

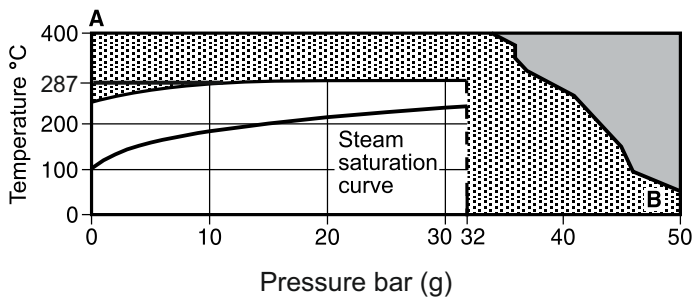
Size and End Connections



DN15 and DN 20
Screwed BSPT/NPT/BSP, socket weldable ends
Note : Available with IBR certificate on request

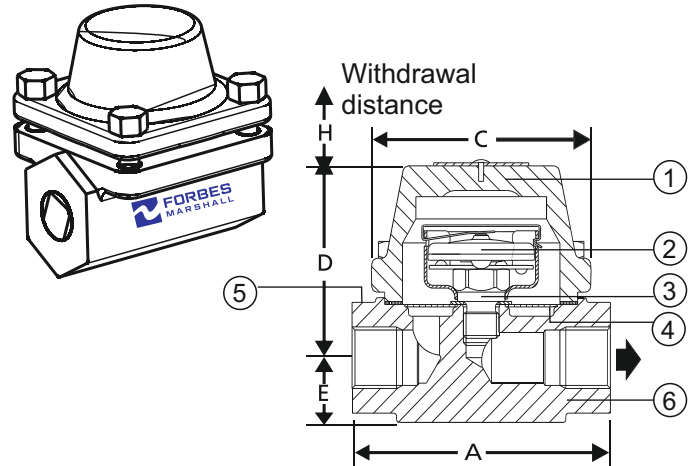
Limiting Conditions

PMA Maximum allowable pressure	50 bar (g) @50°C
TMA Maximum allowable temperature	400°C@35 bar(g)
PMO Maximum operating pressure	32 bar(g)
TMO Maximum operating temperature	287°C
Cold hydraulic test pressure	48 bar(g)
Min Operating Temperature	0 °C

Operating Range



-  The product must not be used in this region
 -  The product should not be used in this region or beyond its operating range as damage to the internals may occur.
- A - B** Screwed & Socket Weld Ends



Dimensions (approx.) in mm and kg

Size(DN)	A	C	D	E	H	Weight
DN 15	92	80	70	26	40	2.0Kg
DN 20	92	80	70	26	40	2.0Kg

Material

S.No	Part	Material	Standard
1	Cover	Forged Carbon Steel	ASTM A105N
2	Thermopod	Stainless Steel	AISI 304
3	Valve Seat	S.S, Type 431	ASTM A276
4	Strainer Screen	S.S, Type 304	ASTM A240
5	Cover Gasket	Reinforced Exfoliated Graphite	
6	Body	Forged Carbon Steel	ASTM A 105N
7	Cover Bolts and Nuts	Carbon Steel H.T.	ASTM A 193 GR B7 ASTM A 194 GR 2H

Recommended Tightening Torques

Part	Torque (Nm)
M8 BOLT	25-35

Thermopod Filling for FMTLT53

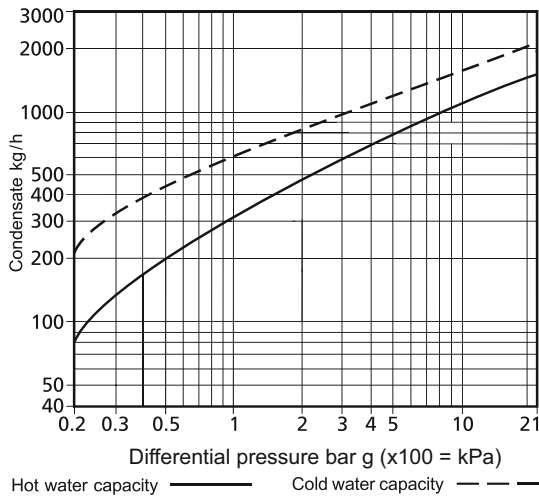
As a standard, the FMTLT53 trap is supplied with filling 'U', which will operate approximately 24 °C below steam saturation temperature. As an optional alternative, the trap can be supplied with filling 'T', which will operate approximately 12 °C below steam saturation temperature or filling 'C', which will operate approximately 6 °C below the steam saturation curve.

Note: If the alternative thermopod is required this must be clearly stated in the order e.g. thermopod to have 'U' fill or 'T' fill.

Thermopod Filling for FMAV53

As a standard the FMAV53 is supplied with filling 'C'.

Capacity Chart



Available Spares

The spare parts available are shown in heavy outline. Parts drawn in broken lines are not supplied as spares.

Thermopod and Seat Assembly set 'T' (State Thermopod filling –'U' Fill or 'T' fill)	A
Strainer screen and Gasket Kit	B,C

How to Order Spares

Always order spares by using the description given in the column above, headed "Available Spares", and stating the size and type of steam trap. For codes refer user manual.

Example.1 Thermopod and seat assembly set for DN 15 FMTLT53 Steam Trap 'U' fill.

How to Order

Example : Forbes Marshall Tracer Line Trap Dn15 FMTLT53 having screwed BSPT connections with Thermopod 'U' filling.

Or

Forbes Marshall Air Vent DN15 FMAV53 having screwed

Installation

FMTLT53 (Steam Trap Application)

The FMTLT53 can be installed in any position - horizontal or vertical. It is recommended that a non-return valve is fitted when discharging condensate into return lines where back pressure is experienced.

It is also recommended that a diffuser is fitted when discharging to atmosphere.

FMAV53 (Air Vent Application)

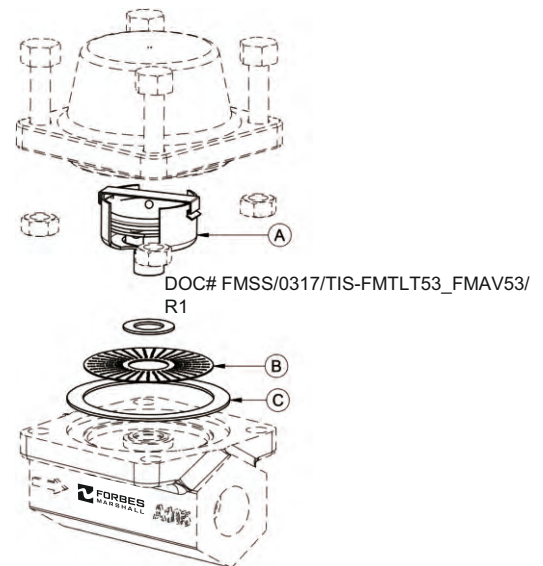
The FMAV53 is designed for installation with the thermopod in a horizontal plane with the cover at the top.

The FMAV53 should be positioned at the highest point of the steam main or plant where the air collects. The outlet should be piped to a safe place

For ease of maintenance, consideration should be given to fitting isolation valves upstream and downstream of the FMTLT53 / FMAV53.

Safety Information, Installation and Maintenance

For full details see the user manual supplied with the product.



www.forbesmarshall.com

Forbes Marshall Arca

Codel International

Krohne Marshall

Forbes Vyncke

Forbes Marshall Steam Systems

A: Forbes Marshall Pvt. Ltd.
Opp. 106th Milestone, CTS 2220,
Mumbai-Pune Road, Kasarwadi,
Pune MH 411034 INDIA
P: +91(0)20-68138555
F: +91(0)20-68138402
E: ccmidc@forbesmarshall.com

Forbes Marshall International Pte. Ltd.
16A, Tuas Avenue 1,
#05-21, JTC Space @Tuas
Singapore - 639533
P: +65 6219 3890

CIN No: U28996PN1985PTC037806

© All rights reserved. Any reproduction or distribution in part or as a whole without written permission of Forbes Marshall Pvt Ltd, its associate companies or its subsidiaries ("FM Group") is prohibited. Information, designs or specifications in this document are subject to change without notice. Responsibility for suitability, selection, installation, use, operation or maintenance of the product(s) rests solely with the purchaser and/or user. The contents of this document are presented for informational purposes only. FM Group disclaims liabilities or losses that may be incurred as a consequence of the use of this information.

DOC# FMSS/0724/TIS-FMTLT53_FMAV53/R2