

FMTD64DM

Forbes Marshall Thermodynamic Trap Drain Module

Description

The Forbes Marshall Thermodynamic Trap Drain Module Model FMTD64DM, with inbuilt Strainer and full stainless steel construction, is best suited for header and mainline drains. Available with FM Piston Type Stop Valves, ready to install for better Performance.

FMTD64DM is available with ISOTUB & DIFFUSER:-
 ISOTUB an insulating cover which prevents the trap from being unduly influenced by excessive heat loss such as when subjected to low outside temperature, wind, rain etc.
 DIFFUSER reduces the problem of noise and erosion by damping high velocity discharge & it is fitted to outlet of Drain Module.

Sizes

DN 15, and DN 20

Notes

1. Available with ANSI #150 and ANSI #300 Flange at Inlet
2. Available with IBR certificate
3. Available without Diffuser also

Limiting Conditions

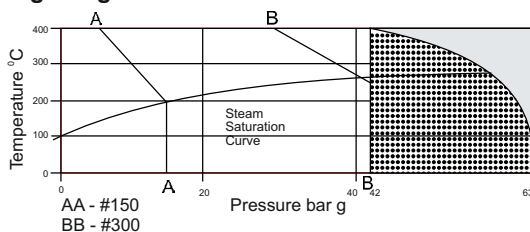
For ANSI #150



| | |
|-----------------------------------|---------------------|
| PMO Maximum operating pressure | 14.0 bar g @ 197 °C |
| TMO Maximum operating temperature | 400 °C @ 5.5 bar g |
| Cold hydraulic test pressure | 21.0 bar g |

For ANSI #300

| | |
|-----------------------------------|---------------------|
| PMO Maximum operating pressure | 41.5 bar g @ 253 °C |
| TMO Maximum operating temperature | 400 °C @ 28.0 bar g |
| Cold hydraulic test pressure | 62.0 bar g |
| Min operating temperature | 0 °C |

Operating Range

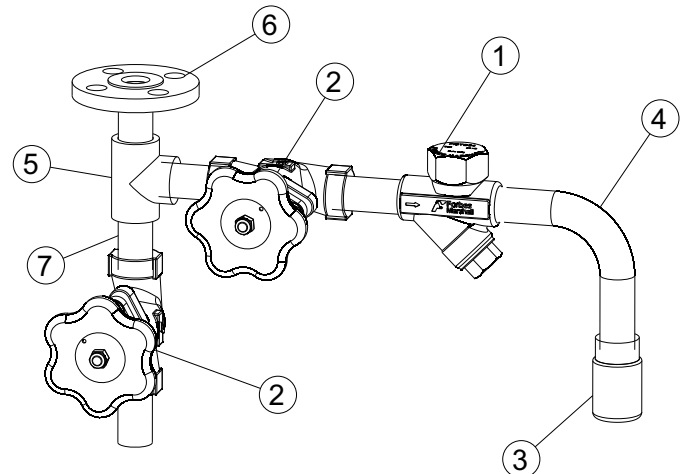


 The Product must not be used in this region.
 The product should not be used in this region or beyond its operating range as damage may occur to the internal.

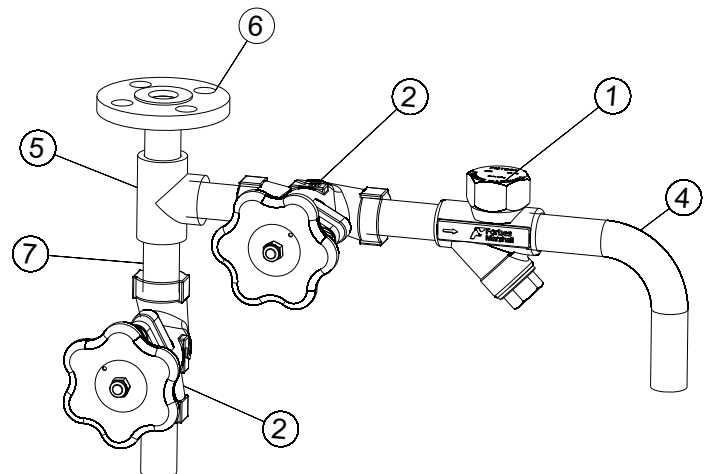
Bill of Material

| Sr. No. | Description | Material | Standard |
|---------|---|---------------------|----------------------|
| 1 | Thermodynamic Steam Trap FMTD64, SWE | Stainless Steel | ASTM A 743 Gr. CA 40 |
| 2 | Inlet & Bypass Piston Valve, SWE | Forged Carbon Steel | ASTM A 105 |
| 3 | Diffuser | Stainless Steel | ASTM A 213 Type 304 |
| 4 | Long Radius Bend Class 3000, Scrd. BSPT | Carbon Steel | ASTM A 105 |
| 5 | Equal Tee, SWE, Class 3000 | Carbon Steel | ASTM A 105 |
| 6 | Flanges SWE type ANSI #150, ASME B16.5 | Carbon Steel | ASTM A 105 |
| 6 | Flanges SWE type ANSI #300, ASME B16.5 | Carbon Steel | ASTM A 105 |
| 7 | Seamless Pipe SCH. 80 | Carbon Steel | ASTM A 106 |

DN 15-20 FMTD64DM WITH DIFFUSER

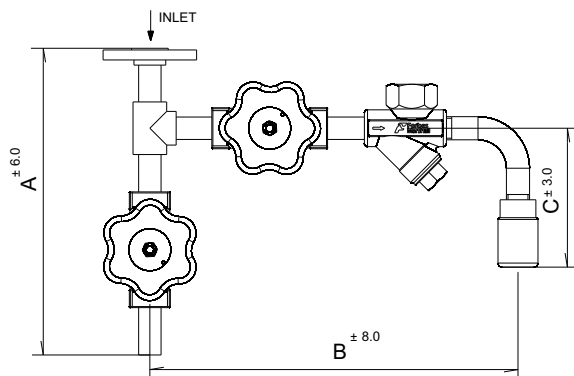


DN 15-20 FMTD64DM WITHOUT DIFFUSER



Dimensions

a) DN 15-20 FMTD64 DRAIN MODULE WITH DIFFUSER



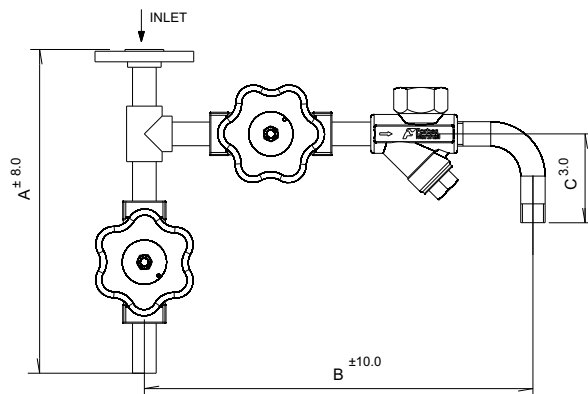
FOR ASA 150 FLANGE (All dimensions in mm)

| Size DN | A | B | C |
|---------|-----|-----|-----|
| 15 | 292 | 350 | 132 |
| 20 | 304 | 386 | 164 |

FOR ASA 300 FLANGE (All dimensions in mm)

| Size DN | A | B | C |
|---------|-----|-----|-----|
| 15 | 298 | 350 | 132 |
| 20 | 304 | 386 | 164 |

b) DN 15-20 FMTD64 DRAIN MODULE WITHOUT DIFFUSER



FOR ASA 150 FLANGE (All dimensions in mm)

| Size DN | A | B | C |
|---------|-----|-----|-----|
| 15 | 292 | 350 | 83 |
| 20 | 304 | 386 | 110 |

FOR ASA 300 FLANGE (All dimensions in mm)

| Size DN | A | B | C |
|---------|-----|-----|-----|
| 15 | 298 | 350 | 83 |
| 20 | 304 | 386 | 110 |

Others Products

Piston Valves :- Forbes Marshall Piston Valves provide perfect tightness and durable stability, In Module we have 1 No. at Inlet line & another in Open By-Pass line.

Diffuser :- Forbes Marshall Diffuser is a compact unit designed to be fitted to the outlet of steam or air trap discharge to atmosphere. The Diffuser reduces the noise and erosion by damping high velocity discharge.

Inter Connecting Piping :- Pipe : ASTM A 106 Sch. 80, Tee : SWE Type Class # 3000, Inlet Flange : with ANSI #150.

Installation

FMTD64DM Thermodynamic Trap Module is ready to install assemblies. The Module should be installed in Horizontal orientation with its bypass & outlet lines running vertically downwards.

How to Order

Dn15 FMTD64DM Drain Module with Diffuser Flanged to ASA #150, IBR.

Spares For details of Spares, please refer to individual TIS / UM of respective product in the Module.



www.forbesmarshall.com

Forbes Marshall Arca

Codel International

Krohne Marshall

Forbes Vyncke

Forbes Marshall Steam Systems

A: Forbes Marshall Pvt. Ltd.
Opp. 106th Milestone, CTS 2220,
Mumbai-Pune Road, Kasarwadi,
Pune MH 411034 INDIA

P: +91(0)20-68138555

F: +91(0)20-68138402

E: ccmidc@forbesmarshall.com

Forbes Marshall International Pte. Ltd.

16A, Tuas Avenue 1,
#05-21, JTC Space @Tuas
Singapore - 639533

P: +65 6219 3890

CIN No: U28996PN1985PTC037806

© All rights reserved. Any reproduction or distribution in part or as a whole without written permission of Forbes Marshall Pvt Ltd, its associate companies or its subsidiaries ("FM Group") is prohibited.

Information, designs or specifications in this document are subject to change without notice. Responsibility for suitability, selection, installation, use, operation or maintenance of the product(s) rests solely with the purchaser and/or user. The contents of this document are presented for informational purposes only. FM Group disclaims liabilities or losses that may be incurred as a consequence of the use of this information.

DOC# FMSS/0724/TIS-FMTD64DM/R2