

FMLDT53

Forbes Marshall Liquid Drain Trap

Description

The Forbes Marshall Liquid Drain Trap, FMLDT53, is a condensate drain trap of cast steel body and cover for compressed air and other pressurized gases. The trap body is equalized with the pressure in the system through the balancing connection on top of the trap body.

Size and Pipe Connections

DN 15, 20 and 25

Screwed : BSPT / NPT/ BSP, Socket weldable

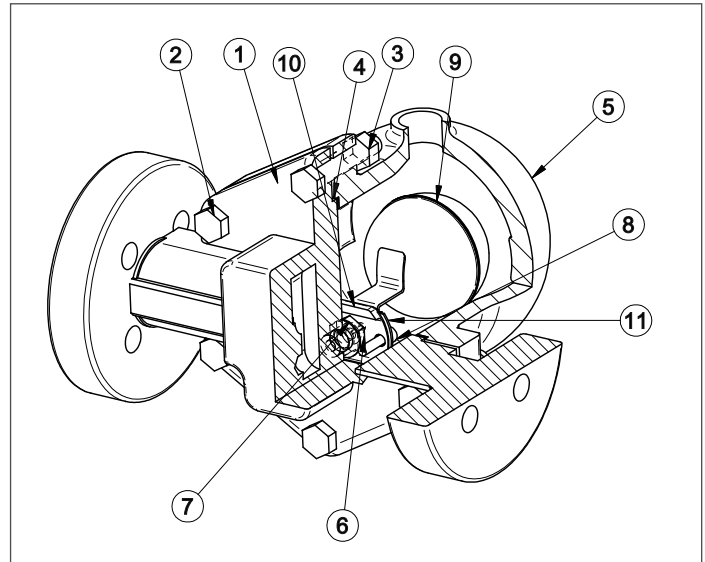
Flanged : ANSI 150, 300, 600

BS table H, J, K, R

PN 10,16,25,40

Note:

1. DN 15 CLASS 150 Flange available only with weld on flange
2. Flange thickness is common for each size as shown in dimensional details



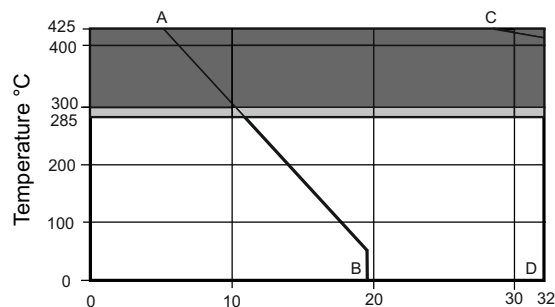
Limiting Conditions

FMLDT53 - 4.5 bar g	Max. differential pressure of 4.5 bar g
FMLDT53 - 10 bar g	Max. differential pressure of 10 bar g
FMLDT53 - 13 bar g	Max. differential pressure of 13 bar g
FMLDT53 - 21 bar g	Max. differential pressure of 21 bar g
FMLDT53 - 32 bar g	Max. differential pressure of 32 bar g
Max. body design condition - 32 bar g at 425°C	
Max. cold hydraulic test pressure - 48 bar g	
Min Operating Temperature- 0 °C	

Material

No	Part	Material	Standard
1a	Base flanged DN 20-25	Cast Steel	ASTM A216 Gr.WCB
1b	Base Screwed / SWE DN 15-20	Forged Carbon Steel	ASTM A105
1c	Base Screwed/SWE DN 25	Cast Steel	ASTM A216 Gr.WCB
2	Cover Bolts	Carbon Steel	ASTM A193 B7
3	Cover Nuts	Carbon Steel	ASTM A193 2H
4	Cover Gasket	S.S. Reinforced Exfoliated Graphite	
5	Cover	Cast Steel	ASTM A216 Gr.WCB
6	Valve Seat	Stainless Steel	ASTM A276 SS420
7	Valve Seat Gasket	Stainless Steel	SS410
8	Pivot Frame Assly Set Screws	Stainless Steel	ASTM A240 Type 304
9	Ball Float and Lever	Stainless Steel	ASTM A240 Type 304
10	Support Frame	Stainless Steel	ASTM A240 Type 304
11	Pivot Frame	Stainless Steel	ASTM A240 Type 304

Operating Range

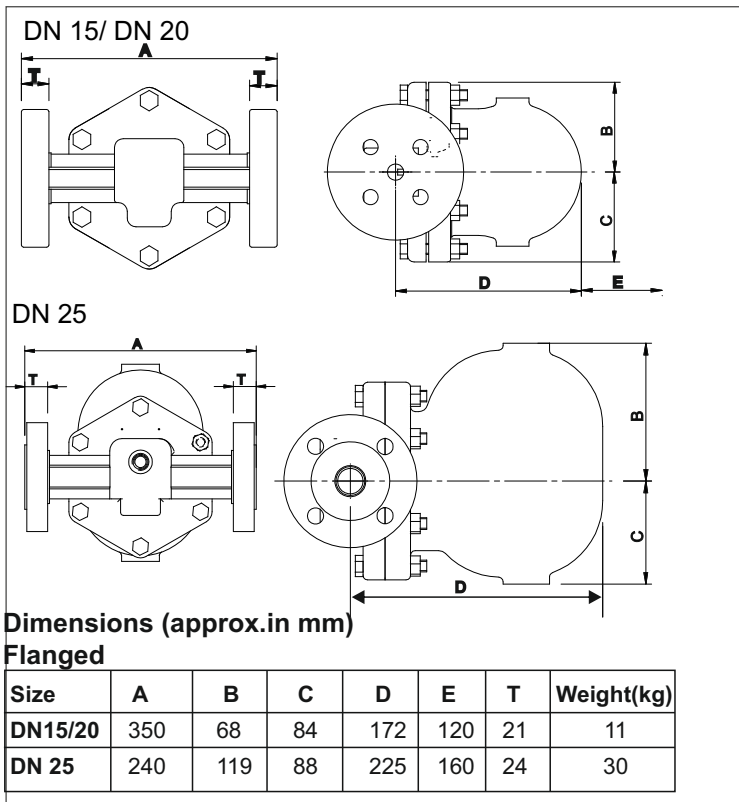


A - B Flanged #150

C - D Flanged #300

■ This product **must not** be used in this region.

□ This product should not be used in this region as damage to the internals may occur.

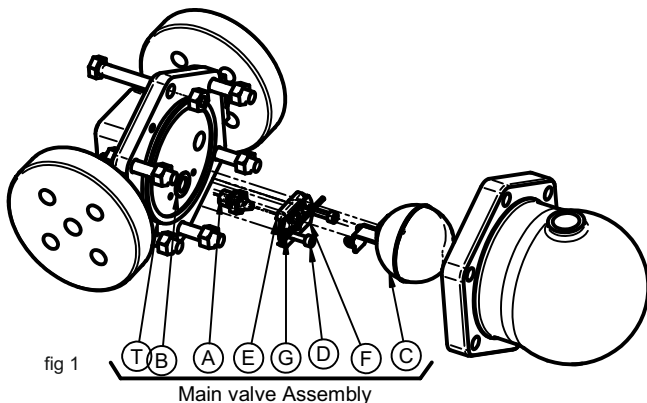


Servicing

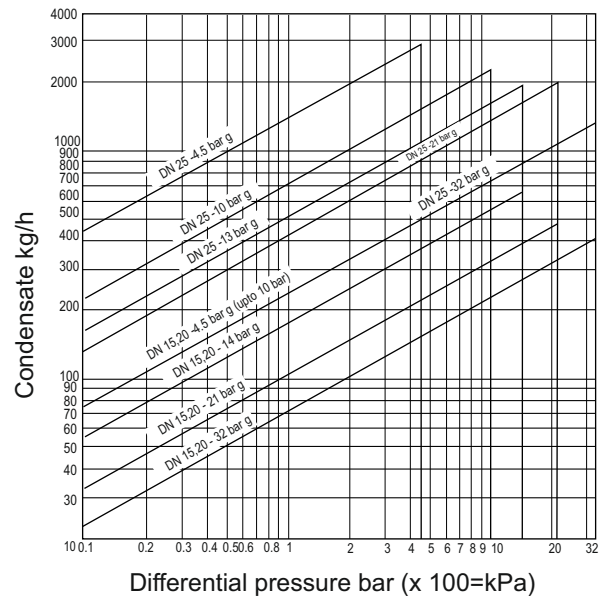
With suitable isolation, repairs can be carried out with the trap on line. Undo cover nut bolts and lift off cover. When reassembling make sure that all joint faces are clean. Always use a new gasket and apply a thin coating of jointing paste. Tighten cover bolts uniformly.

Main Valve Assembly

Unscrew cover bolts and lift off the cover. Remove complete float assembly by undoing the two screws on the pivot frame F. Remove the main valve seat and gasket and if damaged replace with a new one. Fit the support frame E and pivot frame F by using two screws but do not tighten it. Place the float arm and complete the assembly by placing the pin. Now tighten the set screws. Refit the cover.



Capacity Chart



Recommended Tightening Torques

No.	Part	Torque (Nm)
1.	Valve Seat	45-55
2.	Cover Bolts	25-35

How to Order

Example: DN 20 Forbes Marshall Liquid Drain Trap FMLDT53 - 14 bar g flanged to ANSI # 150

Installation

The arrow on the nameplate must point downwards.
The arrow on the casting indicates the flow direction.

Available Spares (refer fig 1)

Main Valve Assembly with Float	A, B, C, D, E, F, G, T
Set Gasket (pkt of 3)	T
Float	C

How to Order Spares

Always order spares by using the description given in the column headed "Available Spares" and stating the size and type of trap.
Example: Main valve assembly for DN 20 Forbes Marshall Liquid Drain Trap FMLDT53 - 14 bar g.



www.forbesmarshall.com

Forbes Marshall Arca

Codel International

Krohne Marshall

Forbes Vyncke

Forbes Marshall Steam Systems

A: Forbes Marshall Pvt. Ltd.
Opp. 106th Milestone, CTS 2220,
Mumbai-Pune Road, Kasarwadi,
Pune MH 411034 INDIA
P: +91(0)20-68138555
F: +91(0)20-68138402

E: ccmidc@forbesmarshall.com

© All rights reserved. Any reproduction or distribution in part or as a whole without written permission of Forbes Marshall Pvt Ltd, its associate companies or its subsidiaries ("FM Group") is prohibited.

Information, designs or specifications in this document are subject to change without notice. Responsibility for suitability, selection, installation, use, operation or maintenance of the product(s) rests solely with the purchaser and/or user. The contents of this document are presented for informational purposes only. FM Group disclaims liabilities or losses that may be incurred as a consequence of the use of this information.

Forbes Marshall International Pte. Ltd.
16A, Tuas Avenue 1,
#05-21, JTC Space @Tuas
Singapore - 639533
P: +65 6219 3890

CIN No: U28996PN1985PTC037806