

FMAE31

Forbes Marshall Air Eliminator

Description

The Forbes Marshall Air Eliminator, FMAE31, is a float type air vent for liquid systems. The body and cover are of cast iron and the complete unit is easily maintainable.

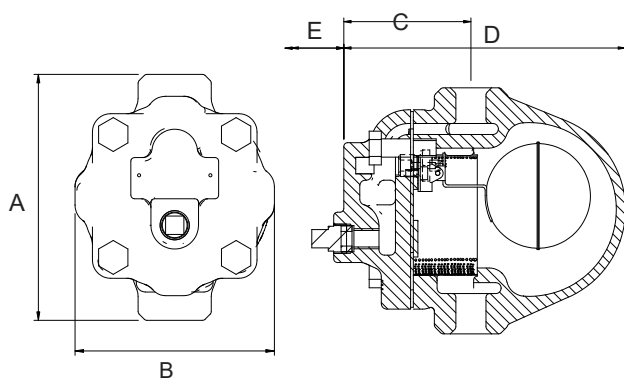
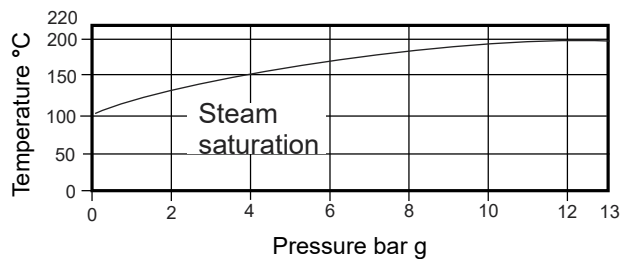
Sizes and End Connections

DN 15,20 and 25 Screwed BSPT / NPT / BSP

Limiting Conditions

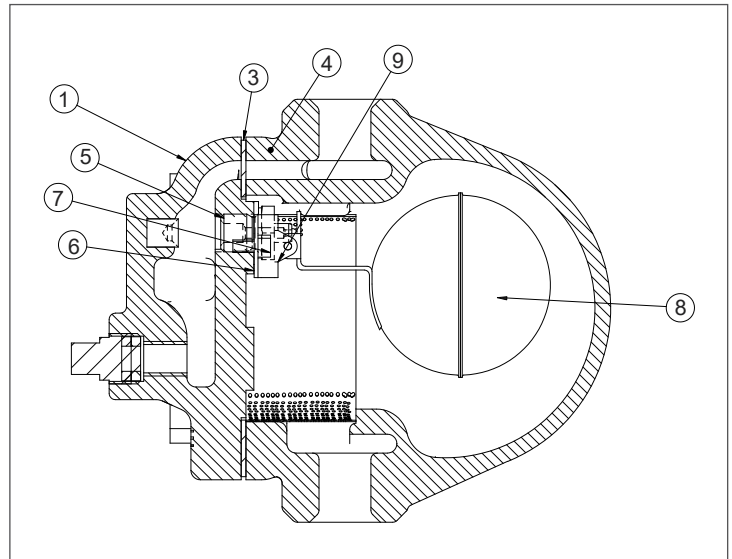
PMA-Max. allowable pressure	13.0 bar g
TMA-Max. allowable temperature	220°C
TMO-Max. operating temperature	220°C
Cold hydraulic test pressure	20.0 bar g
Δ PMX- Max. differential pressure	13 bar g
Min Operating temperature	0°C

Operating range



Dimensions (approx.) in mm

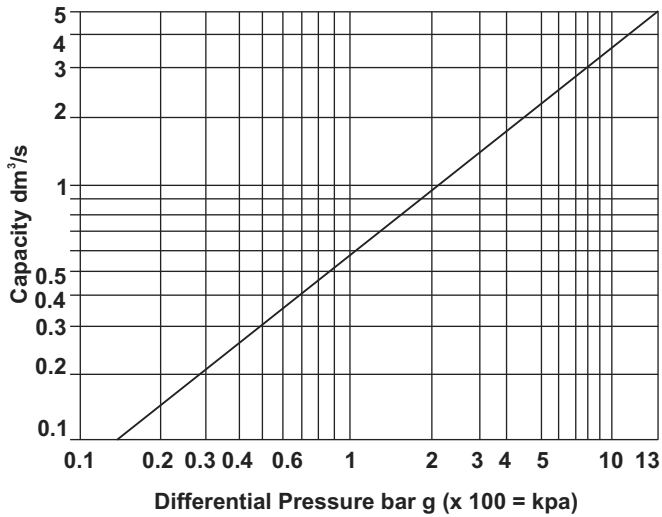
Size	A	B	C	D	E	Weight
DN 15/20	130	109	72	152	120	4 Kg
DN 25	141	109	72	160	135	4 kg



Materials

No	Part	Material	Standard
1	Base	Cast Iron	IS 210 FG 260
2	Cover Bolts	Carbon Steel	ASTM A 193 B7
3	Cover Gaskets	SS Reinforced Exfoliated Graphite	
4	Cover	Cast Iron	IS 210 FG 260
5	Valve Seat	Stainless Steel	ASTM A743 Gr. CA 40
6	Valve Seat Gasket	Stainless Steel Type 420	ASTM A240
7	Set Screws	Stainless Steel Type 304	IS 1364
8	Ball Float and Lever	Stainless Steel Type 304	ASTM A240
9	Pivot Frame	Stainless Steel Type 304	ASTM A240

Capacity Chart



How to Fit Main Valve Assembly

Undo cover bolts and lift off base. Remove complete float assembly by undoing the two screws.

Remove main valve seat and replace with a new one supplied with new gasket.

Fit complete new float assembly by tightening the assembly set screw. Refit cover using new gasket.

Recommended Tightening Torques

Part	Torque (Nm)
Cover Bolts	25-35
Valve Seat	25-35
Set Screw	2.5-3

How to Order

Example : DN 20 Forbes Marshall Air Eliminator FMAE31 Screwed BSPT.

Installation

The FMAE31 must be fitted in a vertical plane above the point being vented with the direction of flow as indicated on cover so that the float arm falls and rises vertically. The arrow on the nameplate should point downwards. As with all automatic air vents, dribbling may occur if the valve is fouled with dirt. It is therefore recommended that a drip pipe is fitted to the outlet discharging to a safe place. Refer user manual for further details.

Available spares (refer fig. below)

Main valve assembly	A, B, C, D, E, F, G, T
Set of gaskets (Packet of 3)	B, T
Float assembly	C

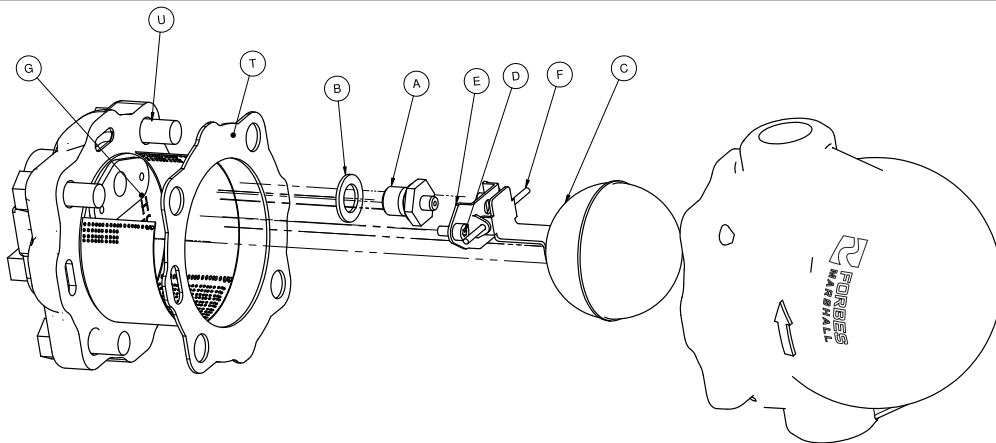
How to Order Spares

Always order spares by using the description given in the column headed "Available Spares" in user manual

Maintenance

This can be carried out easily with the FMAE31 automatic air vent by closing the isolating ball valve.

When reassembling make sure that all joint faces are clean and always use a new cover gasket. Open isolating valve.



www.forbesmarshall.com

Forbes Marshall Arca

Codel International

Krohne Marshall

Forbes Vyncke

Forbes Marshall Steam Systems

A: Forbes Marshall Pvt. Ltd.
Opp. 106th Milestone, CTS 2220,
Mumbai-Pune Road, Kasarwadi,
Pune MH 411034 INDIA

P: +91(0)20-68138555

F: +91(0)20-68138402

E: ccmidc@forbesmarshall.com

© All rights reserved. Any reproduction or distribution in part or as a whole without written permission of Forbes Marshall Pvt Ltd, its associate companies or its subsidiaries ("FM Group") is prohibited.

Information, designs or specifications in this document are subject to change without notice. Responsibility for suitability, selection, installation, use, operation or maintenance of the product(s) rests solely with the purchaser and/or user. The contents of this document are presented for informational purposes only. FM Group disclaims liabilities or losses that may be incurred as a consequence of the use of this information.

Forbes Marshall International Pte. Ltd.

16A, Tuas Avenue 1,
#05-21, JTC Space @Tuas
Singapore - 639533

P: +65 6219 3890

CIN No: U28996PN1985PTC037806